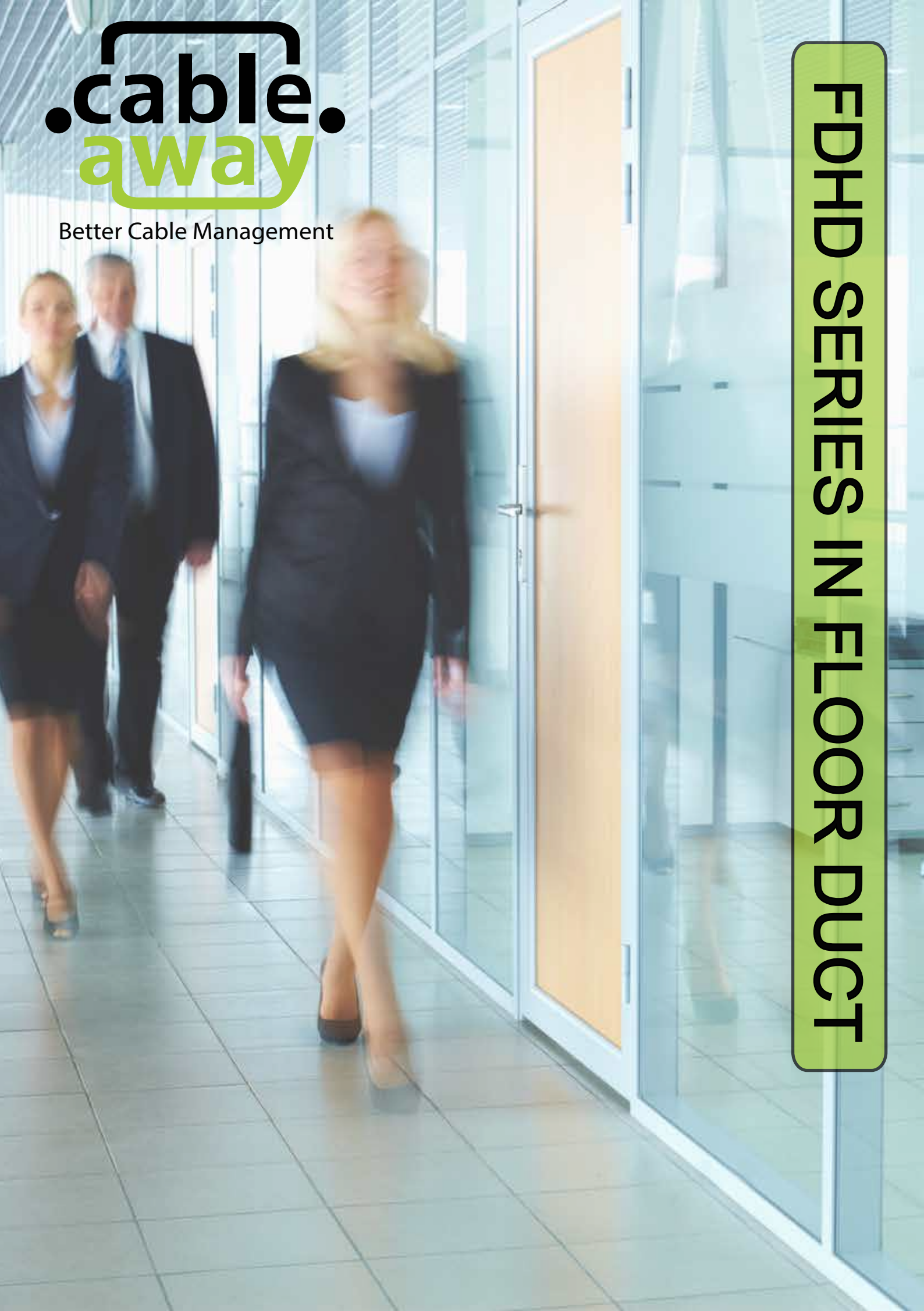




Better Cable Management



FDHD SERIES IN FLOOR DUCT



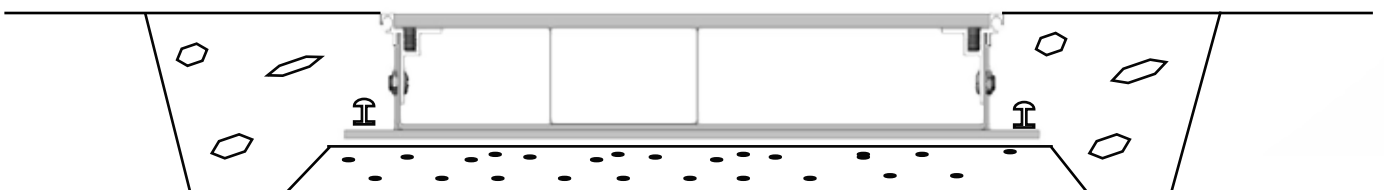
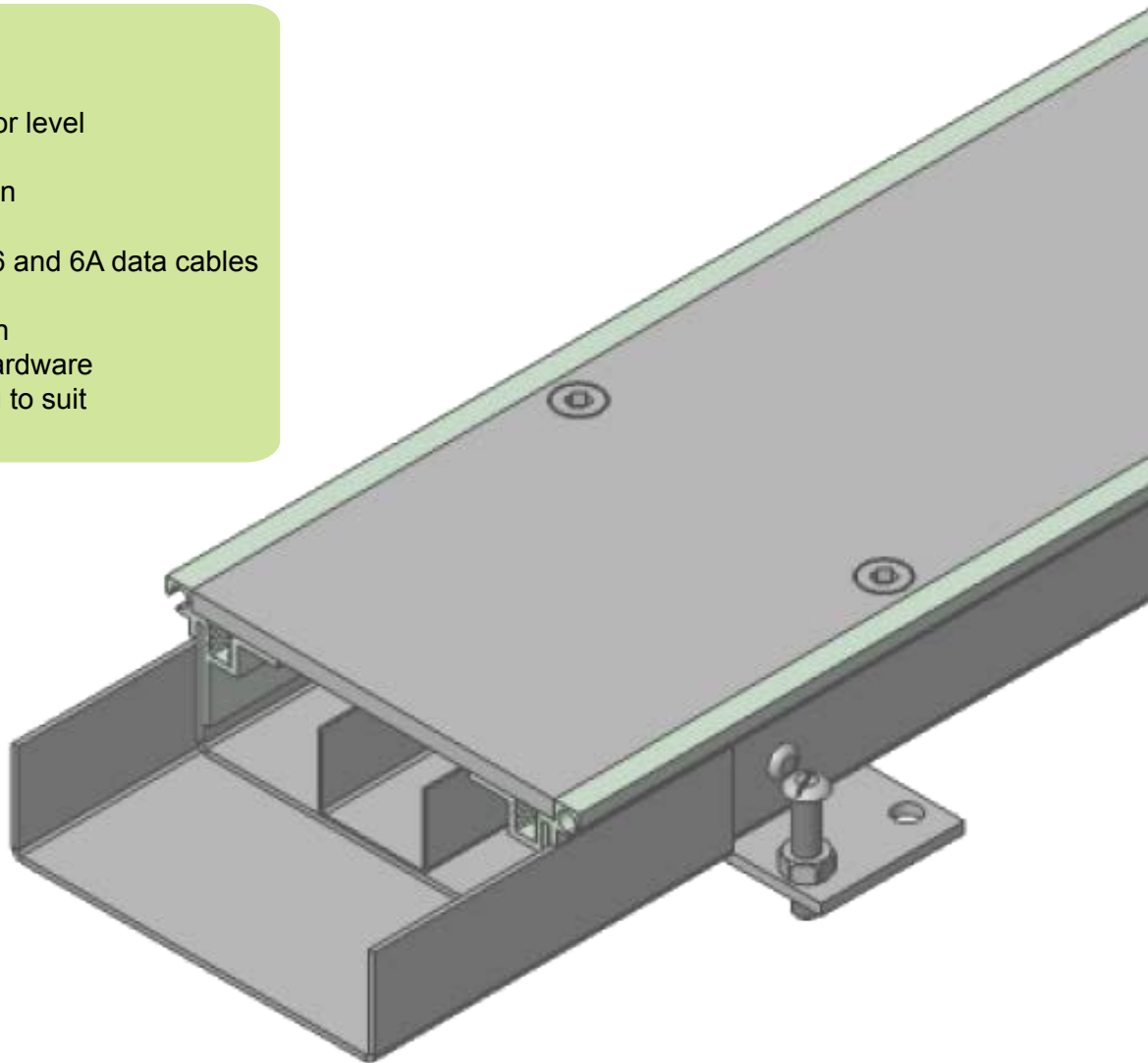
Manage Cables Better

Trench Duct / In Floor Duct is a cost effective way of distributing power, data and audio visual cables under your selected floor finish. Cableaway's range of trench duct can be manufactured to any size to suit your project.

Cableaway's trench duct can also be supplied with many different lid finishes if you chose to have the trench duct lid section exposed.

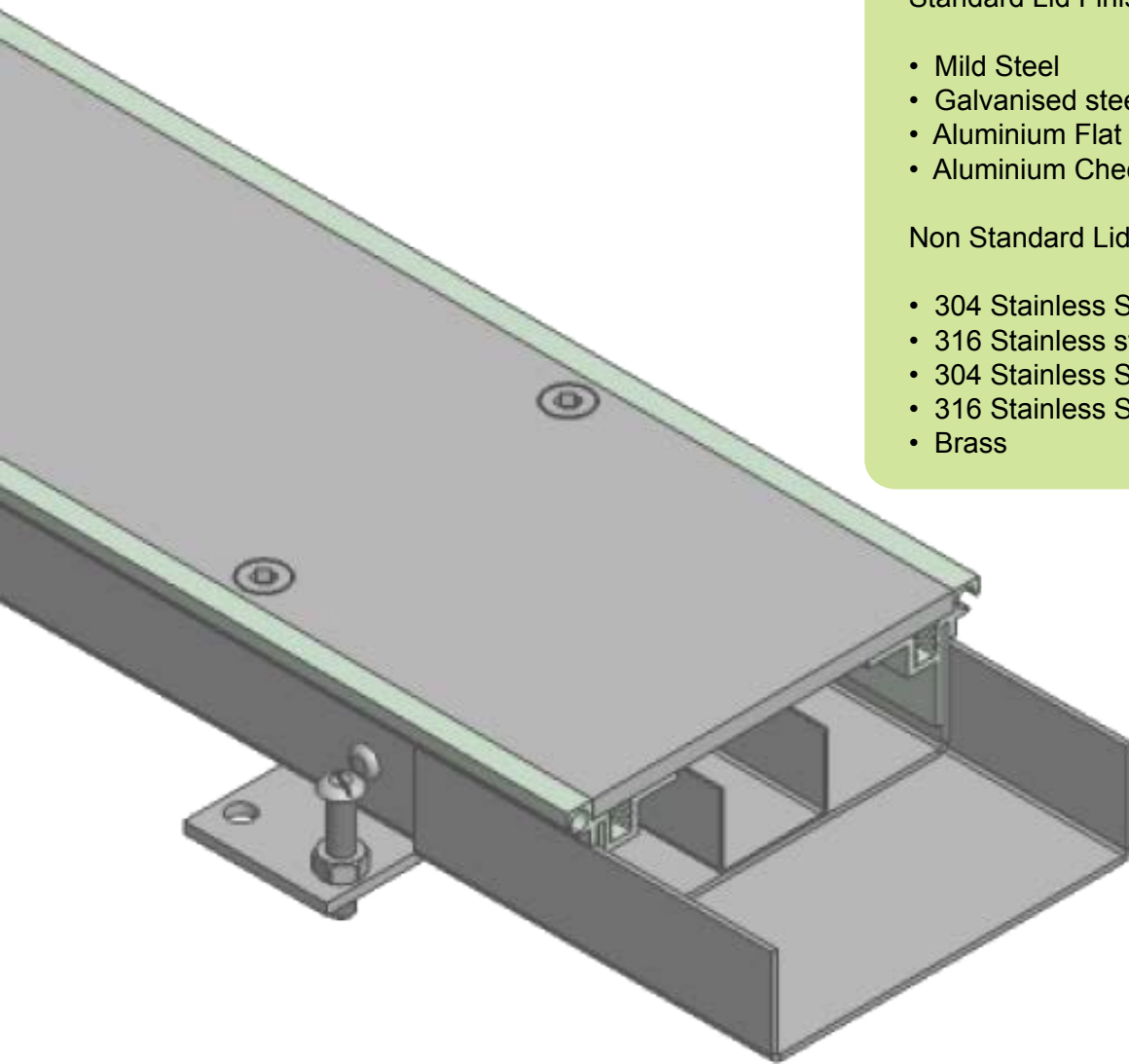
FEATURES:

- Flush finish with floor level
- Easy installation
- 5mm thick lid section
- Optional lid finishes
- Suitable for CAT 5,6 and 6A data cables
- Simple to wire
- Welded construction
- levelling feet and hardware
- Factory made fitting to suit
- Modular design





Manage Cables Better



Available Lid Finishes

Standard Lid Finishes

- Mild Steel
- Galvanised steel
- Aluminium Flat Lid
- Aluminium Checker Plate

Non Standard Lid Finishes

- 304 Stainless Steel (flat)
- 316 Stainless steel (flat)
- 304 Stainless Steel Checker plate
- 316 Stainless Steel Checker plate
- Brass

FD SERIES TRENCH DUCT

Suggested Specification:

Contract shall supply Cableaway FD series trench duct (to the nominated size, division and lid type). The trench duct will be of Galvanised steel construction complete with divisional barrier to separate power and data. Trench duct will be installed to the manufactures specification.

Standard Sizes

- 38mm x 100mm x 2.4m
- 38mm x 150mm x 2.4m
- 50mm x 150mm x 2.4m
- 50mm x 225mm x 2.4m
- 40mm x 300mm x 2.4m

Cableaway Trench duct can be cutom made to suit your project.



Better Cable Management

Cableaway Pty Ltd
Unit 8, 15 Mcpherson Road, Smeaton Grange NSW 2567
ph: 02 8006 4244 fax: 02 4647 2050
www.cableaway.com.au