



Better Cable Management

Mainline Power Rail





Manage Cables Better



The Mainline track system provides safe and easy access to power any where along its length Mainline track is easily installed by a qualified electrician in a fraction of the time taken to install traditional fixed sockets.

The track can be cut on-site with a standard drop-saw, ensuring it will fit any room. Once the track has been installed adaptors can be added, removed and repositioned - simply and safely - with a simple twist.



User safety is paramount to Cableaway. The Mainline power track system has been tested and approved by all relevant regulatory authorities.

Mainline is a single-phase wall or surface mounted power track system.

- Rated Voltage: Up to 250V a.c.
- Rated Continuous Current: Up to 32 Amps a.c.
- Product Environment for use: Indoor areas.
- Degree of protection: IP2xD.
- Dielectric Strength: 3 kV a.c.
- Flammability: Self Extinguishing.
- Track Material: High Impact Rigid PVC.



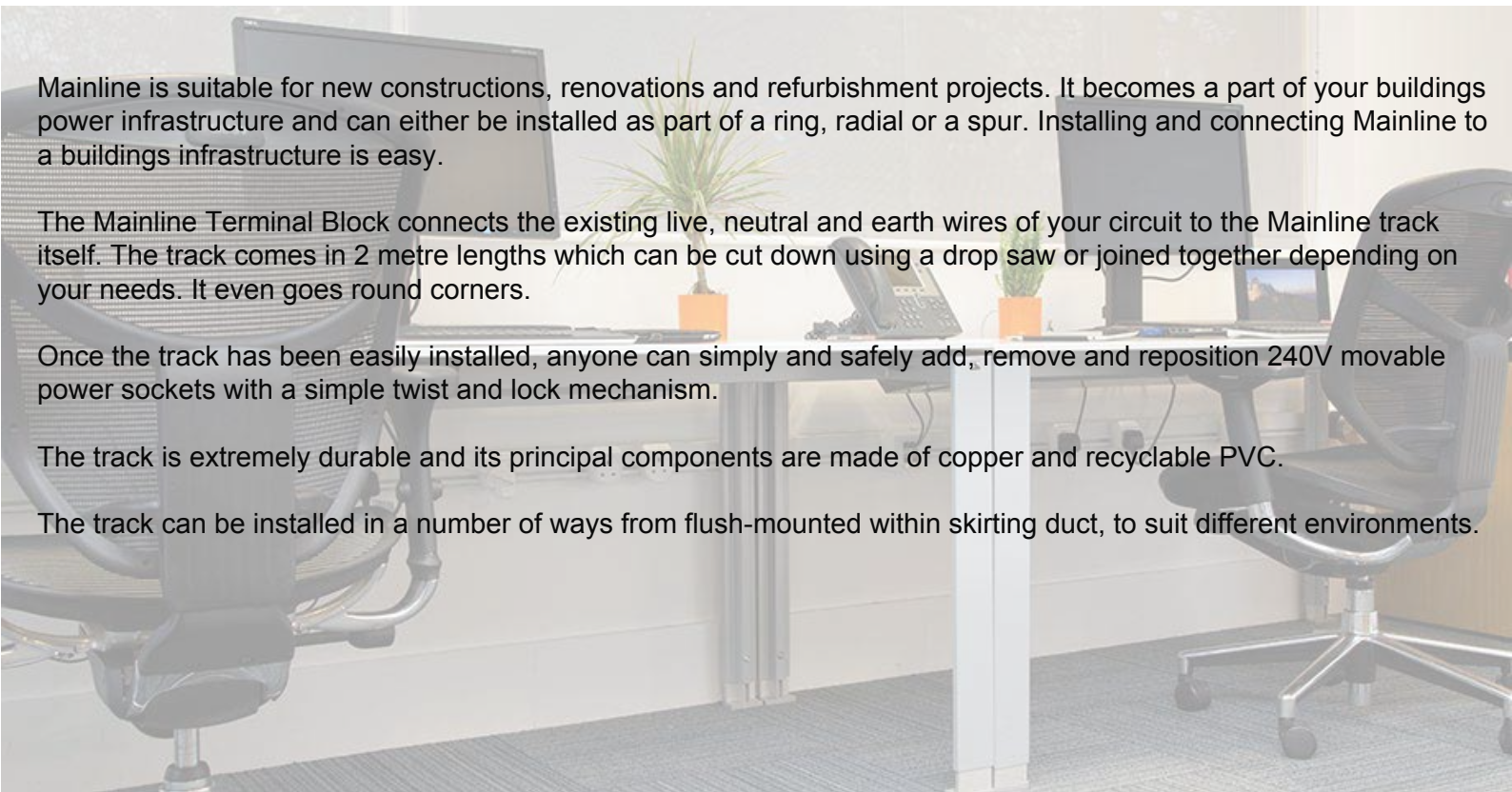
Mainline is suitable for new constructions, renovations and refurbishment projects. It becomes a part of your buildings power infrastructure and can either be installed as part of a ring, radial or a spur. Installing and connecting Mainline to a buildings infrastructure is easy.

The Mainline Terminal Block connects the existing live, neutral and earth wires of your circuit to the Mainline track itself. The track comes in 2 metre lengths which can be cut down using a drop saw or joined together depending on your needs. It even goes round corners.

Once the track has been easily installed, anyone can simply and safely add, remove and reposition 240V movable power sockets with a simple twist and lock mechanism.

The track is extremely durable and its principal components are made of copper and recyclable PVC.

The track can be installed in a number of ways from flush-mounted within skirting duct, to suit different environments.



**cable.
away**

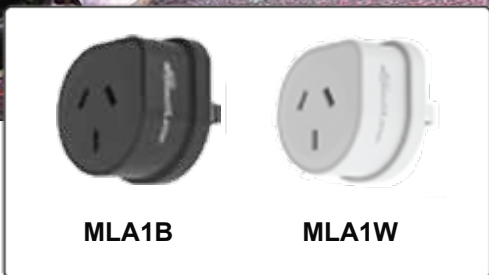
Manage Cables Better



**ML20B
Power Rail**



**ML20W
Power Rail**



MLA1B

MLA1W

Mainline Adaptors can be installed anywhere your power is needed. Outlets are available in Black and White



**MLITRB
MLITLB**

**MLITRW
MLITLW**

For the connection of Mains power cable to your Mainline power rail. available in Black and White Left and Right Feed.



MLQCSJB

MLQCSJW

Safe any easy way to join lengths of Mainline Power Rail. available in Black and White



MLECJW

MLECJB

The External corner for the continuation of Mainline power track around corners. available in Black and White



MLICJW

MLICJB

The Internal corner for the continuation of Mainline power track around Corners. available in Black and White



MLENDW

MLENCB

End caps are used to seal the live terminal and are a must to prevent Electric Shock. available in Black and White

Mainline power rail must be installed within a housing



**Flush mounted Aluminium
Housing
FMHO1-A-EX2100**



**Surface mounted Aluminium
Housing
MLEX21AN (Natural Anodised)**

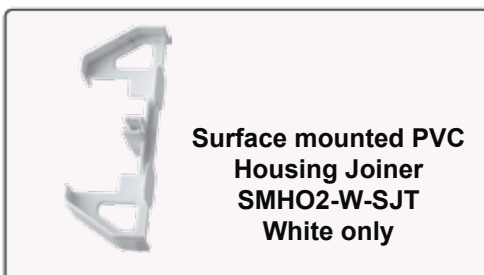


**Surface mounted PVC Housing
SMHO2-W-EX2100
White only**

Mainline aluminium channel available in Natural Anodised, Black and White



**Surface mounted PVC
End Cap
SMHO2-W-ENC
White only**



**Surface mounted PVC
Housing Joiner
SMHO2-W-SJT
White only**

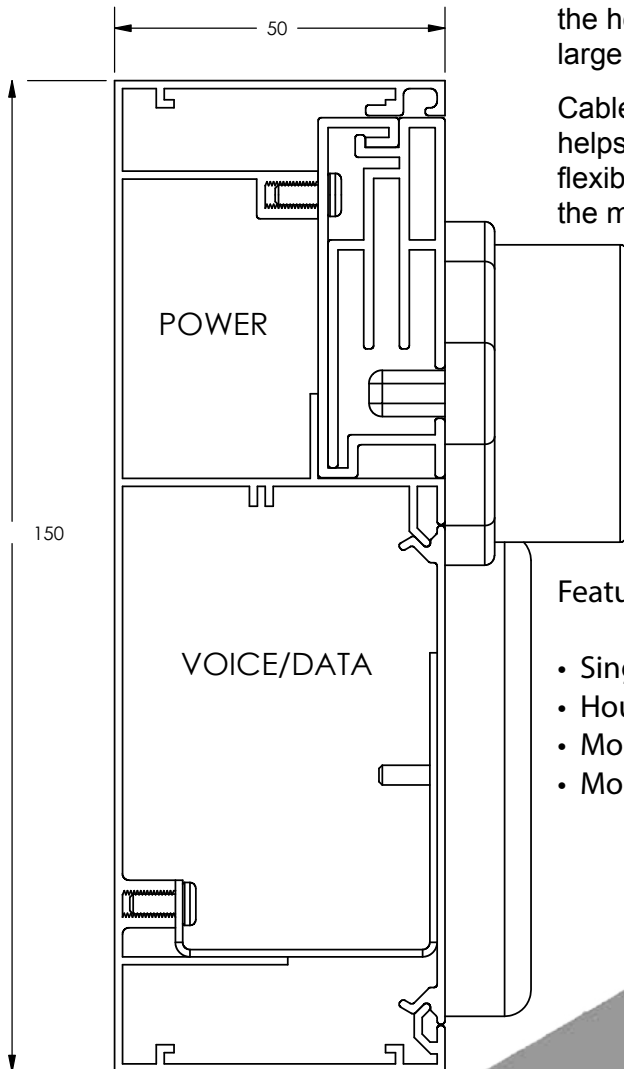


NEW

**USB Adaptor
MLUSBB
MLUSBW**



Manage Cables Better



Cableaway's skirting duct range is by far the easiest way for the housing and distribution of power and data cabling, from large commercial offices to the small home office.

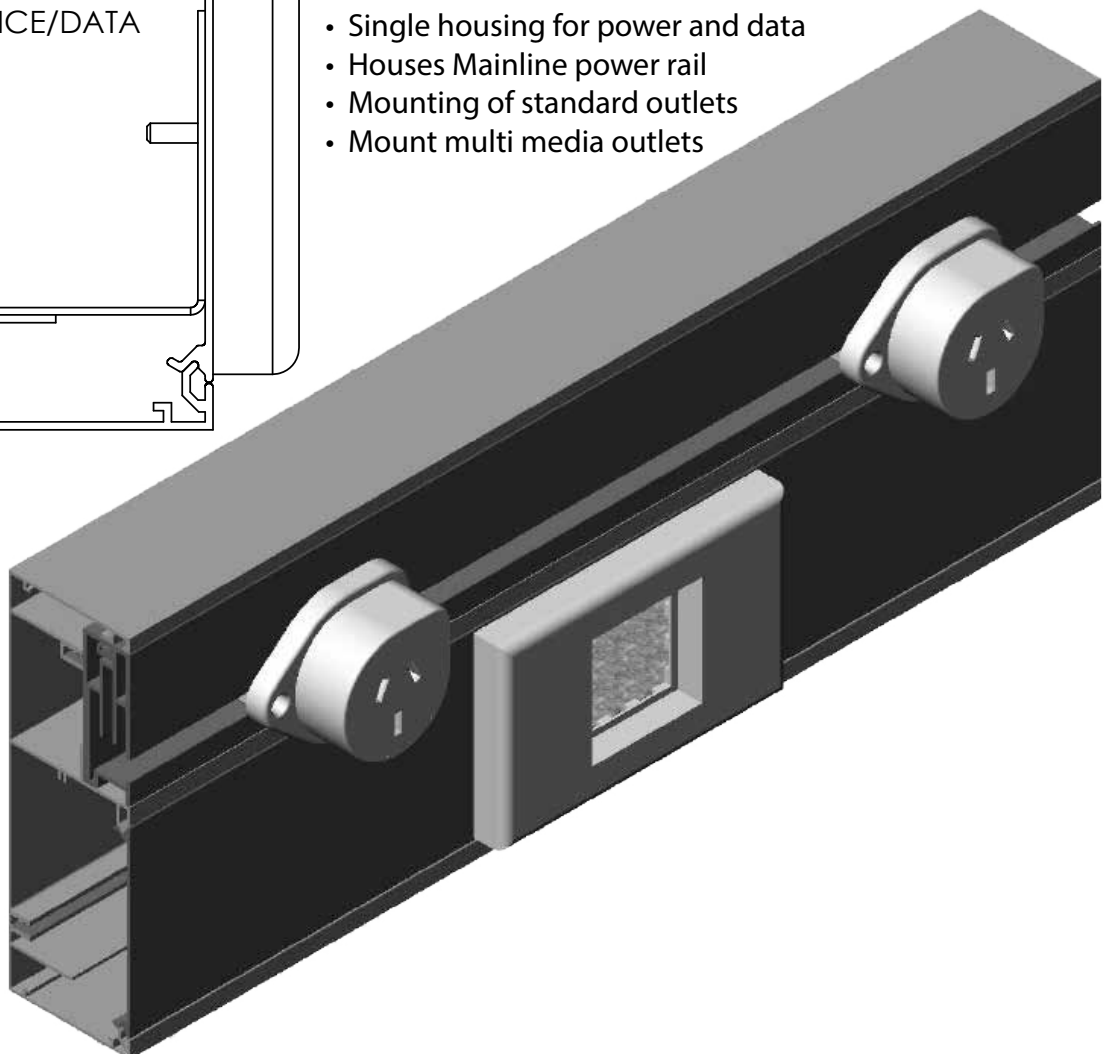
Cableaway's MSD 50mm x 150mm x 2 division skirting duct helps you to truly deliver a cost effective and extremely flexible power and data solution. With a clever adaption of the mainline power rail to this already flexible skirting duct.

Power is more adaptable than ever before.

Cableaway's skirting duct is also able to accommodate audio and visual cables using Cableaway's 45 series multimedia outlets making it easier than ever to adapt microphone jacks, HDMI, VGA, component and much more.

Features

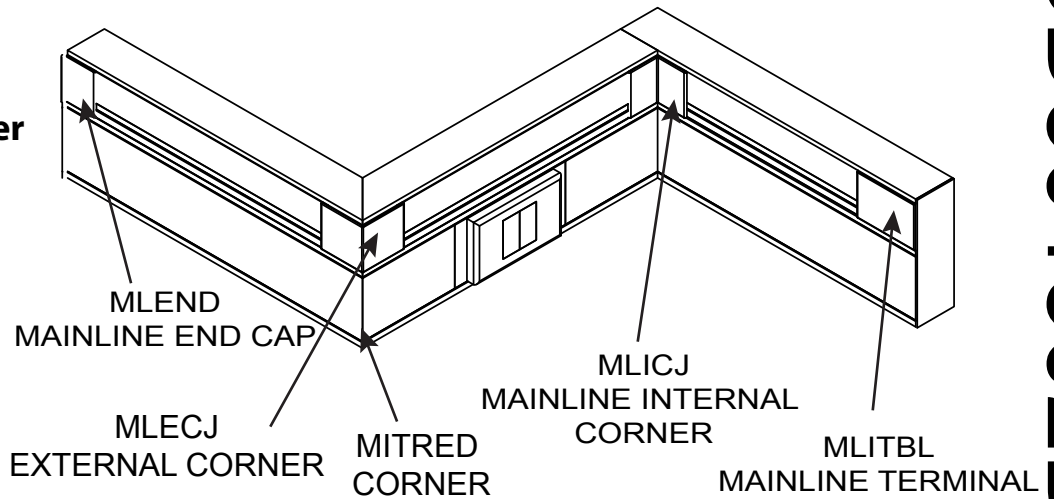
- Single housing for power and data
- Houses Mainline power rail
- Mounting of standard outlets
- Mount multi media outlets



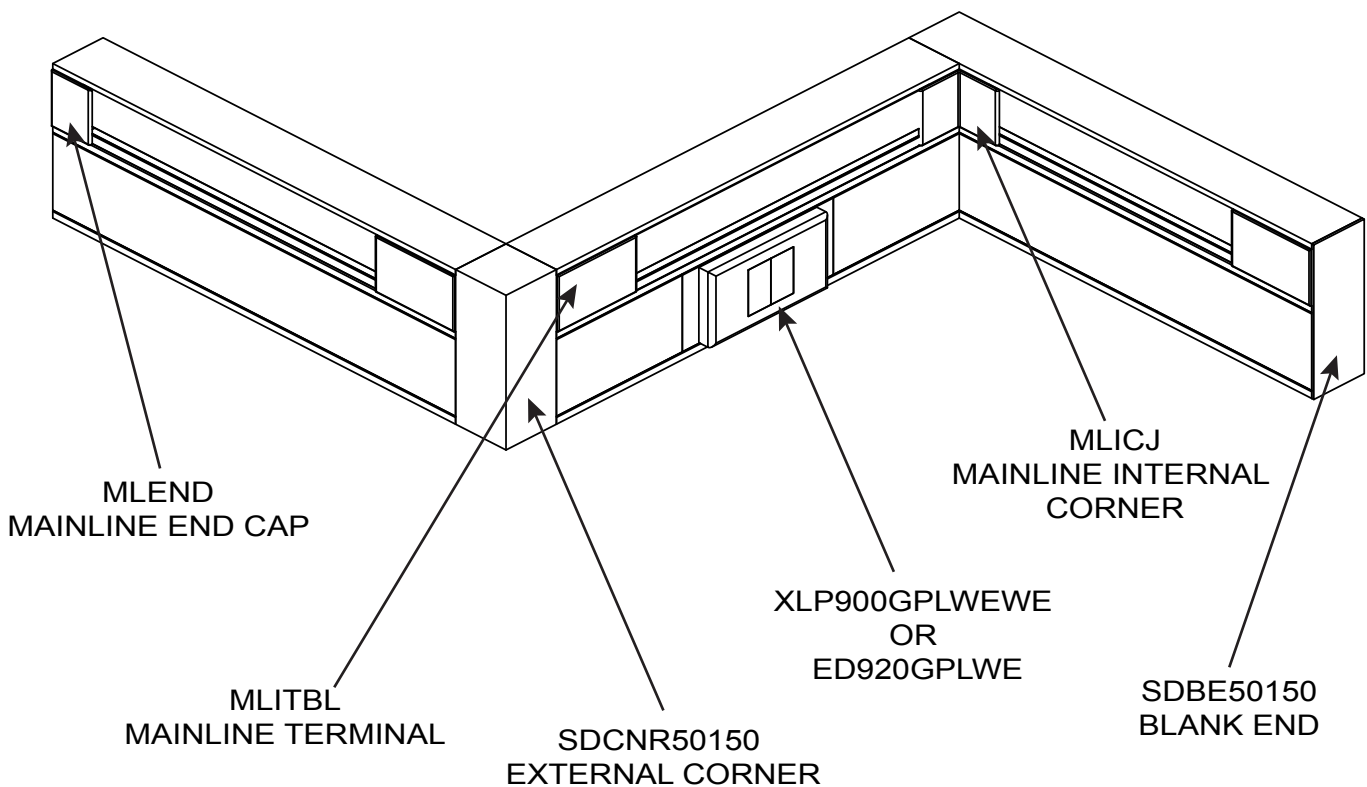


Manage Cables Better

OPTION 1 SITE MITRED CORNERS



OPTION 2 MANUFACTURED CORNERS



SUGGESTED SPECIFICATION

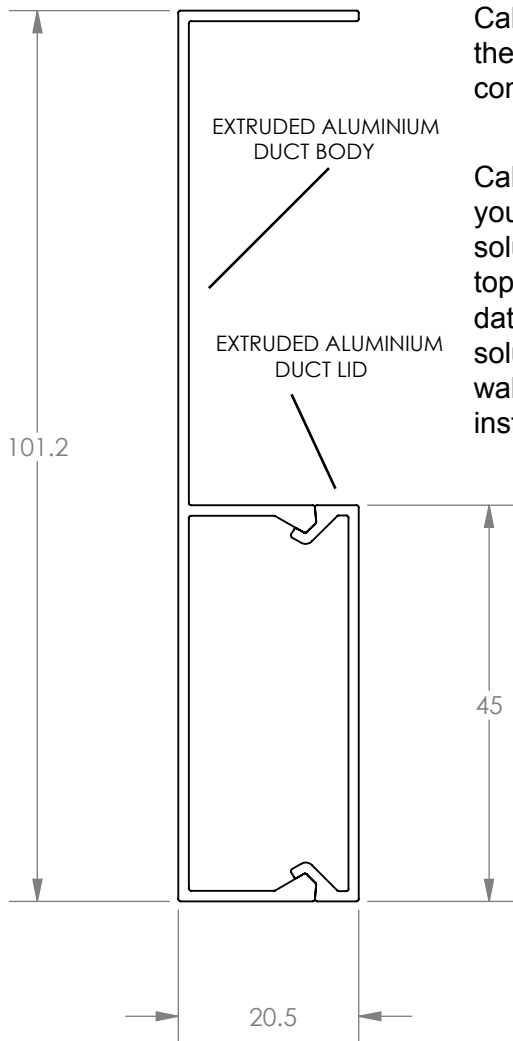
The contractor shall allow to supply and install Cableaway Pty Ltd MSD50150 (50 x 150mm x 2.4m) 2 channel skirting duct or as nominated.

The system will intergrate the Mainline Power Rail in the top channel with the bottom channel for mounting of audio visual and data. The manufacture of the product will be extruded aluminium in construction with a division to seperate power and data. The system will be contiually earthed in accordance with AS3000 wiring rules. Installation should be conducted by an experienced installer as to a Cableaway installation standard.

MSD501502DIV SERIES SKIRTING



Manage Cables Better
Since 2010

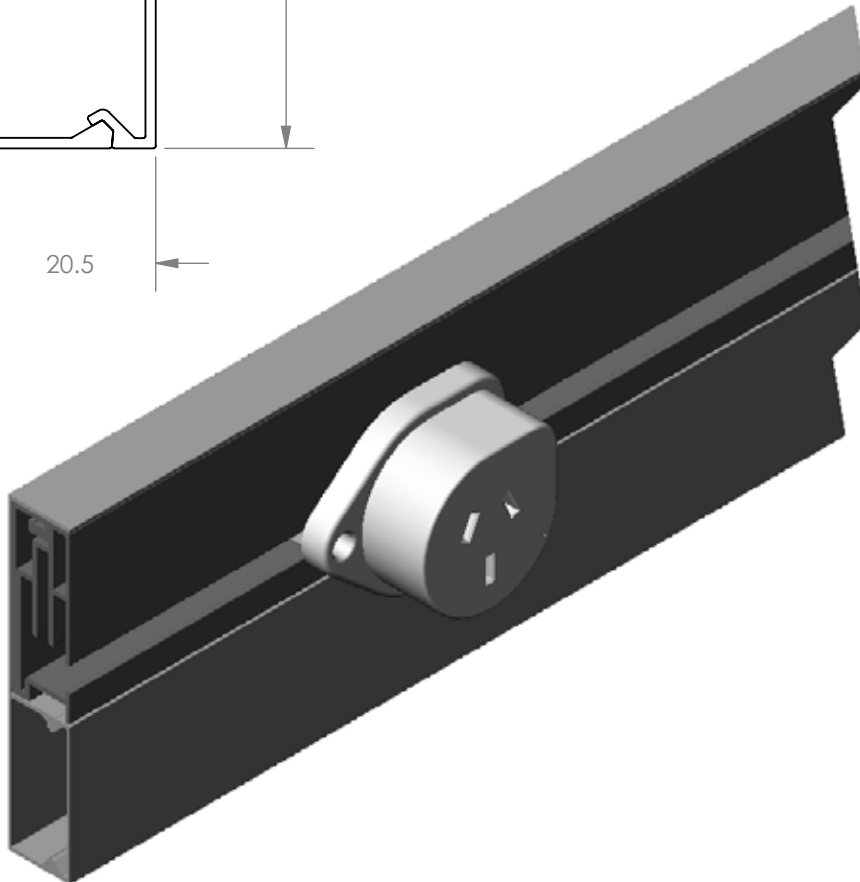


Cableaway's skirting duct range is by far the easiest way for the housing and distribution of power and data cabling, from large commercial offices to the small home office.

Cableaway's MSD 20mm x 100mm x 2 division skirting duct helps you to truly deliver a cost effective and extremely flexible power solution. The MSD20100 duct houses the mainline power rail in the top channel and leaving the bottom channel to run your telephone, data or even HIFI cables. Cableaway's MSD20100 is an ideal solution to use in any home or office as it mounts directly to any wall helping you deliver power and cables in a neat and simple to install solution.

Features

- Replaces traditional skirting board.
- Firm snap on lower cover eliminates accidental removal.
- No need to chase in cables as duct mounts directly to any surface.





Better Cable Management

Cableaway Pty Ltd
Unit 8, 15 McPherson Road, Smeaton Grange NSW 2567
ph: 02 8006 4244 fax: 02 4647 2050
www.cableaway.com.au