



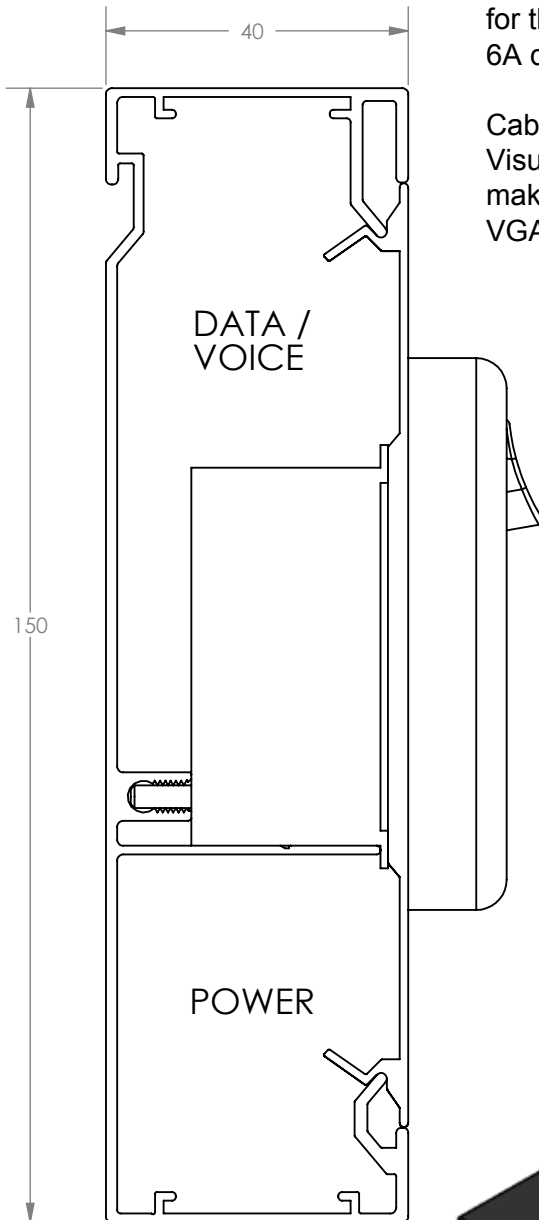
Better Cable Management

SD Series Aluminium Skirting Duct





Manage Cables Better



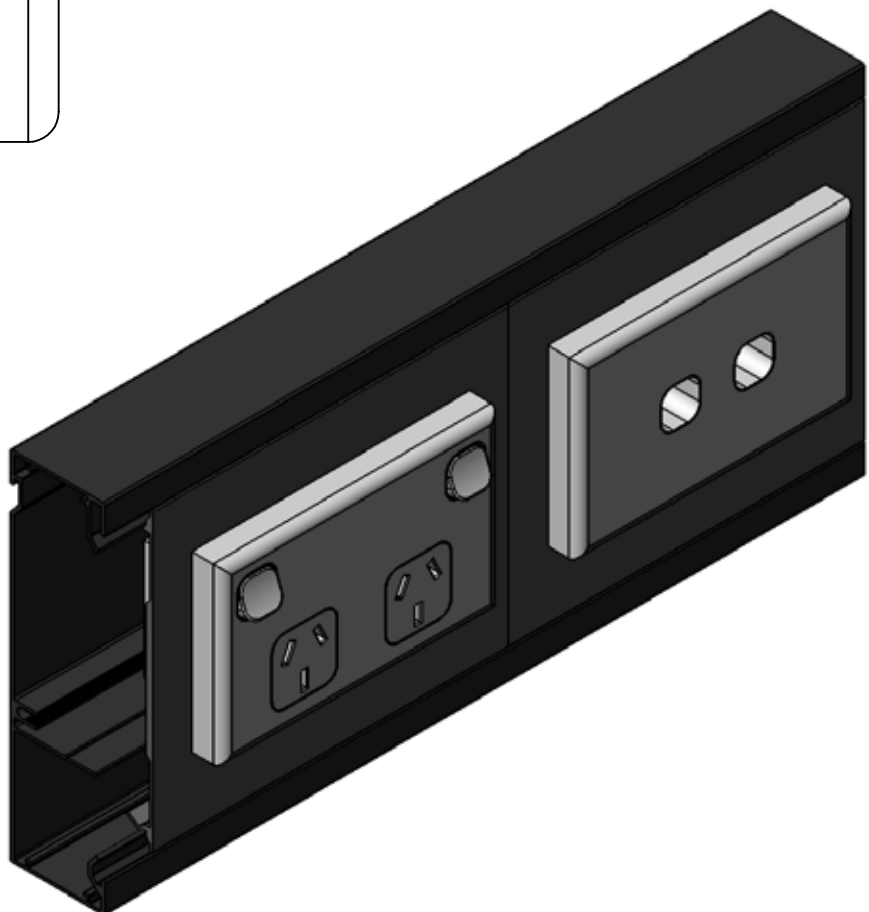
Cableaway's skirting duct range is by far the easiest way for housing and distribution of power and data cabling, from large commercial offices to the small home office.

Cableaway's 40mm x 150mm x 2 division skirting duct is perfect for the reticulation and mounting of power, Cat 5, Cat 6 and Cat 6A data cabling.

Cableaway's skirting duct is also able to handle Audio and Visual cables using Cableaway's 45 series multimedia outlets making it easier than ever to adapt microphone jacks, HDMI, VGA, component and much more.

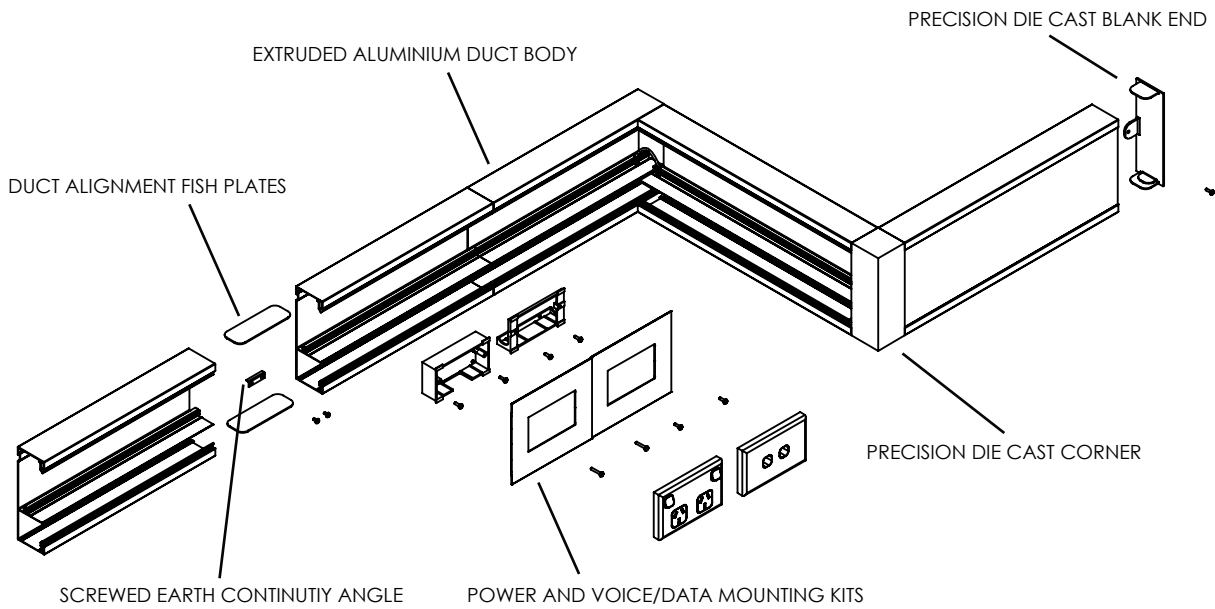
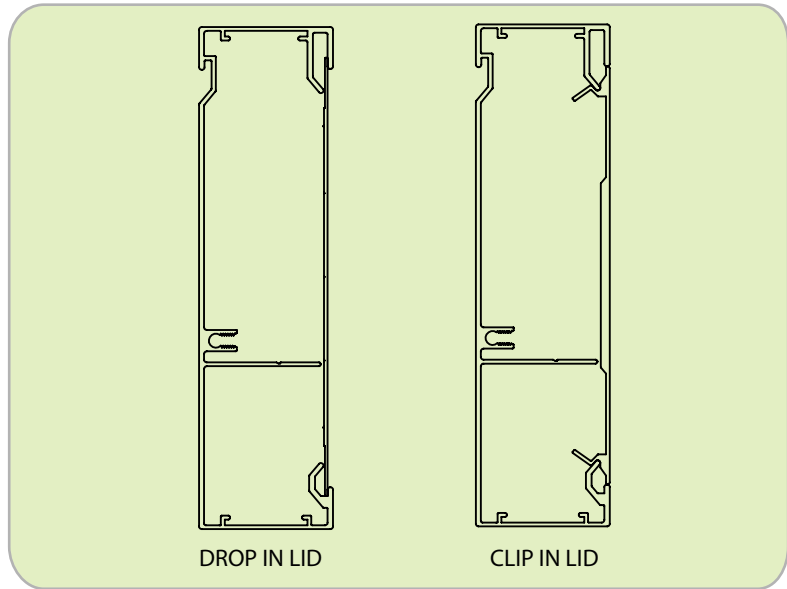
FEATURES:

- Extruded aluminium body
- Diecast blank ends
- Diecast corners
- Centre mounting of outlets
- Suitable for CAT 5,6 and 6A data cables
- GPO mounting kit
- Data mounting kit
- Available with drop in or clip in lid section
- Continuous earthing system
- Easy installation
- Hanging recess (for installation above floor level)





Manage Cables Better



Suggested Specification:

Contractor shall supply Cableaway SD series skirting duct (to the nominated size, division and lid type). The skirting duct will be of aluminium construction complete with divisional barrier to separate power and data. Purpose made mounting kits for power and data shall be used. Skirting duct will be installed to the manufacturers specification using Cableaway's continuous earthing system.

Description:

- Skirting duct body (2.4m length)
- Drop in lid section (1.2m length)
- Clip in lid section (1.2m length)
- Corner kit
- Blank end
- Front cover GPO and data kit (drop in lid)
- Front cover GPO and data kit (clip in lid)
- GPO shroud kit
- Data mounting kit
- Duct joiner kit (Earth continuance - plate and alignment plates)
- Internal butt join earthing kit

Part Number:

- SD40150(S)
- SDDL150(S)
- SDCL150(S)
- SDCNR40150(S)
- SDBE40150(S)
- SDDFC150(S)
- SDCFC150(S)
- SDPSK
- SDDMK
- SDJK50
- SDIEK

Standard Colours:

- Anodised Natural
- Black
- Oyster Grey
- Pearl White

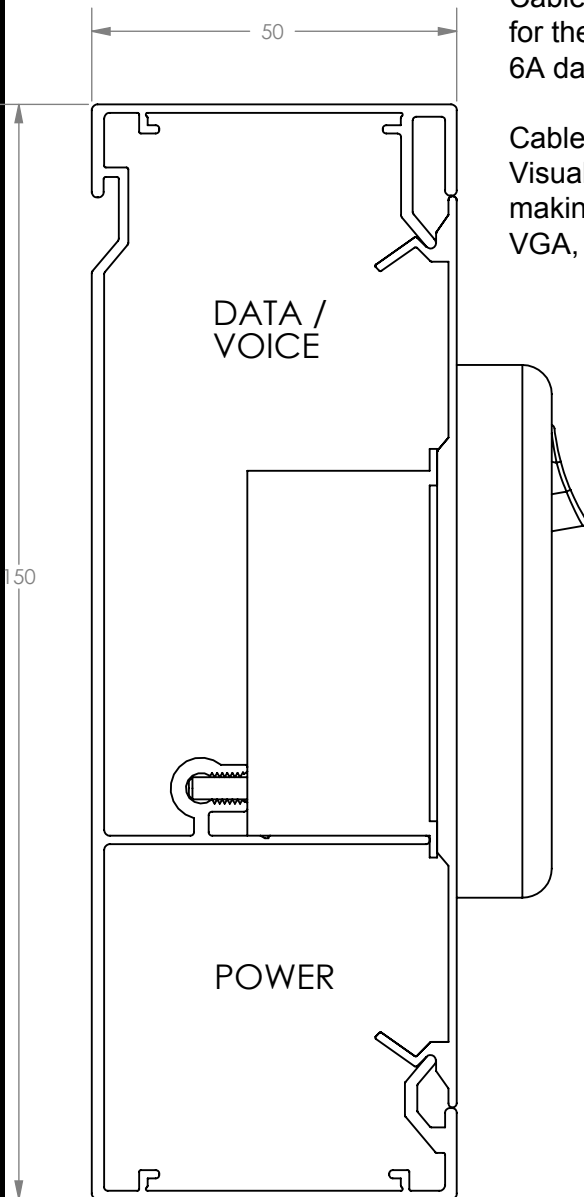
(S) Suffix:

- A
- B
- O
- W

SD401502DIV SERIES SKIRTING DUCT



Manage Cables Better



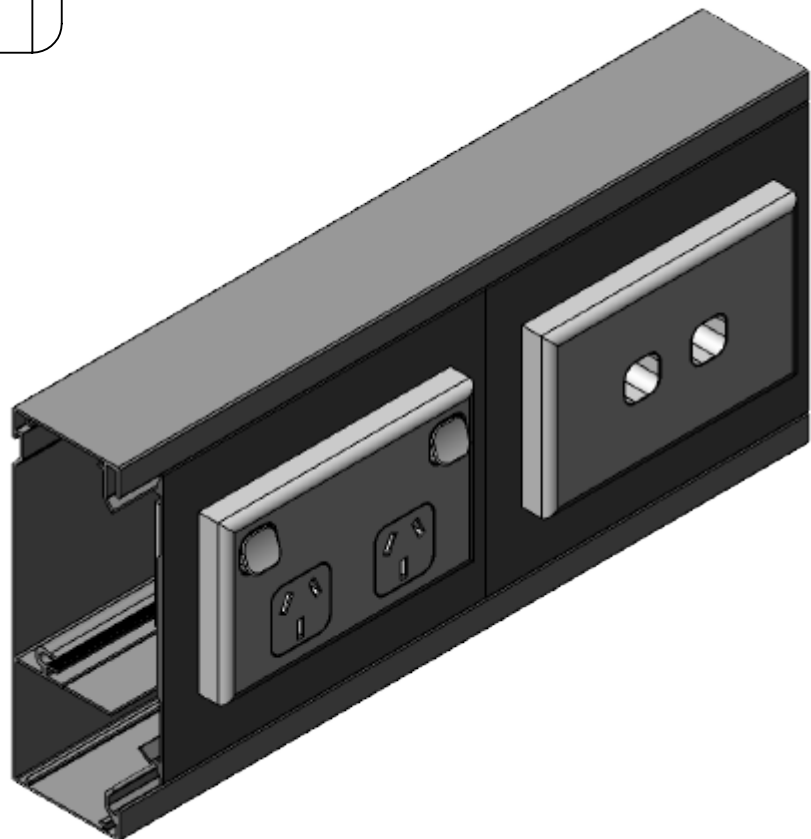
Cableaway's skirting duct range is by far the easiest way for housing and distribution of power and data cabling, from large commercial offices to the small home office.

Cableaway's 50mm x 150mm x 2 division skirting duct is perfect for the reticulation and mounting of power, Cat 5, Cat 6 and Cat 6A data cabling.

Cableaway's skirting duct is also able to handle Audio and Visual cables using Cableaway's 45 series multimedia outlets making it easier than ever to adapt microphone jacks, HDMI, VGA, component and much more.

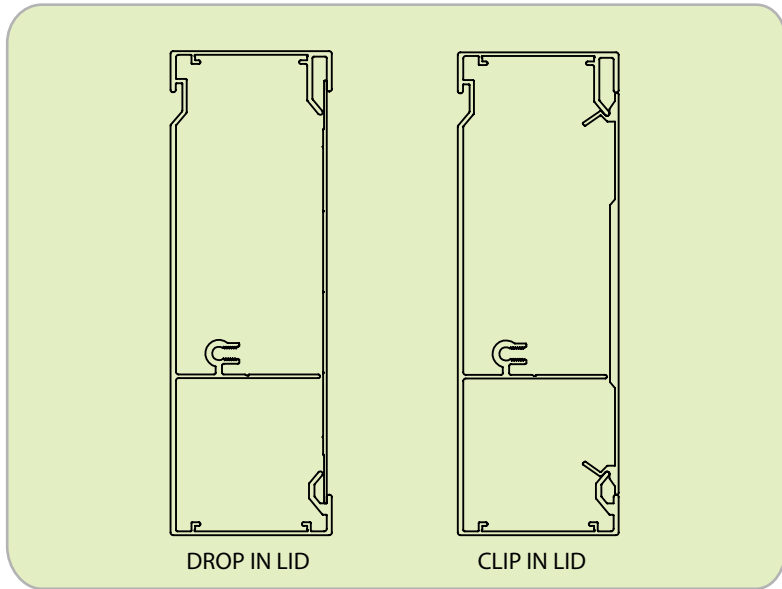
FEATURES:

- Extruded aluminium body
- Diecast blank ends
- Diecast corners
- Centre mounting of outlets
- Suitable for CAT 5,6 and 6A data cables
- GPO mounting kit
- Data mounting kit
- Available with drop in or clip in lid section
- Continuous earthing system
- Easy installation
- Hanging recess (for installation above floor level)

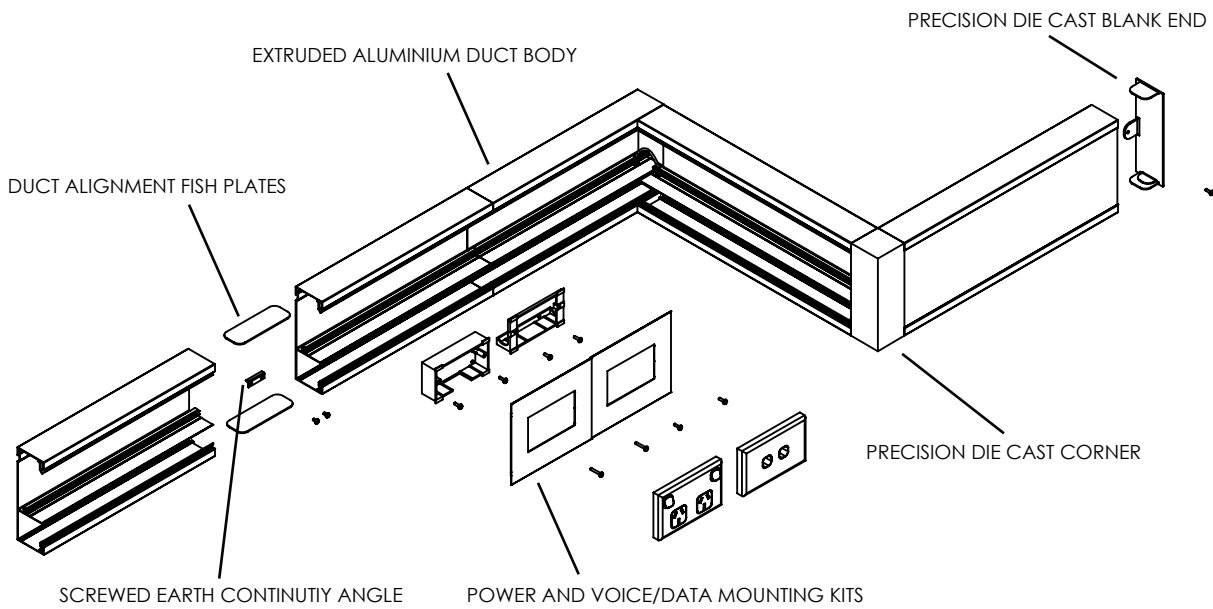




Manage Cables Better



SD501502DIV SERIES SKIRTING DUCT



Suggested Specification:

Contractor shall supply Cableaway SD series skirting duct (to the nominated size, division and lid type). The skirting duct will be of aluminium construction complete with divisional barrier to separate power and data. Purpose made mounting kits for power and data shall be used. Skirting duct will be installed to the manufacturers specification using Cableaway’s continuous earthing system.

Description:

- Skirting duct Body (2.4m length)
- Drop in Lid section (1.2m length)
- Clip in lid section (1.2m Length)
- Corner kit
- Blank end
- Front cover GPO and Data kit (drop in lid)
- Front cover GPO and Data kit (clip in lid)
- GPO shroud kit
- Data mounting kit
- Earth continuance plate and alignment plates
- Internal butt join earthing kit

Part Number:

- SD50150(S)
- SDDL150(S)
- SDCL150(S)
- SDCNR50150(S)
- SDBE50150(S)
- SDDFC150(S)
- SDCFC150(S)
- SDPSK
- SDDMK
- SDJK50
- SDIEK

Standard Colours:

- Anodised Natural
- Black
- Oyster Grey
- Pearl White

(S) Suffix:

- A
- B
- O
- W



Manage Cables Better

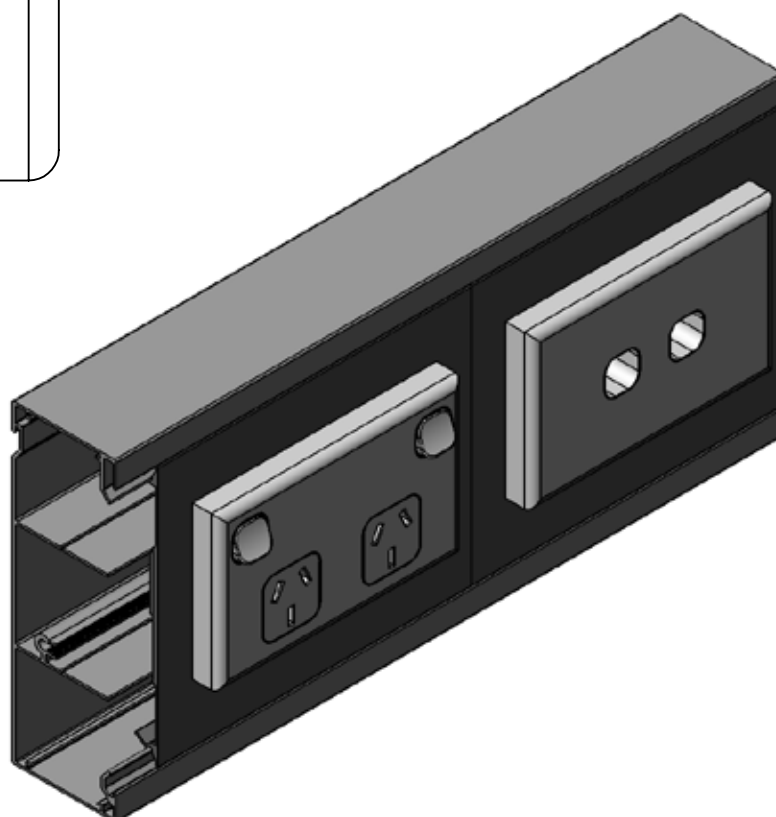
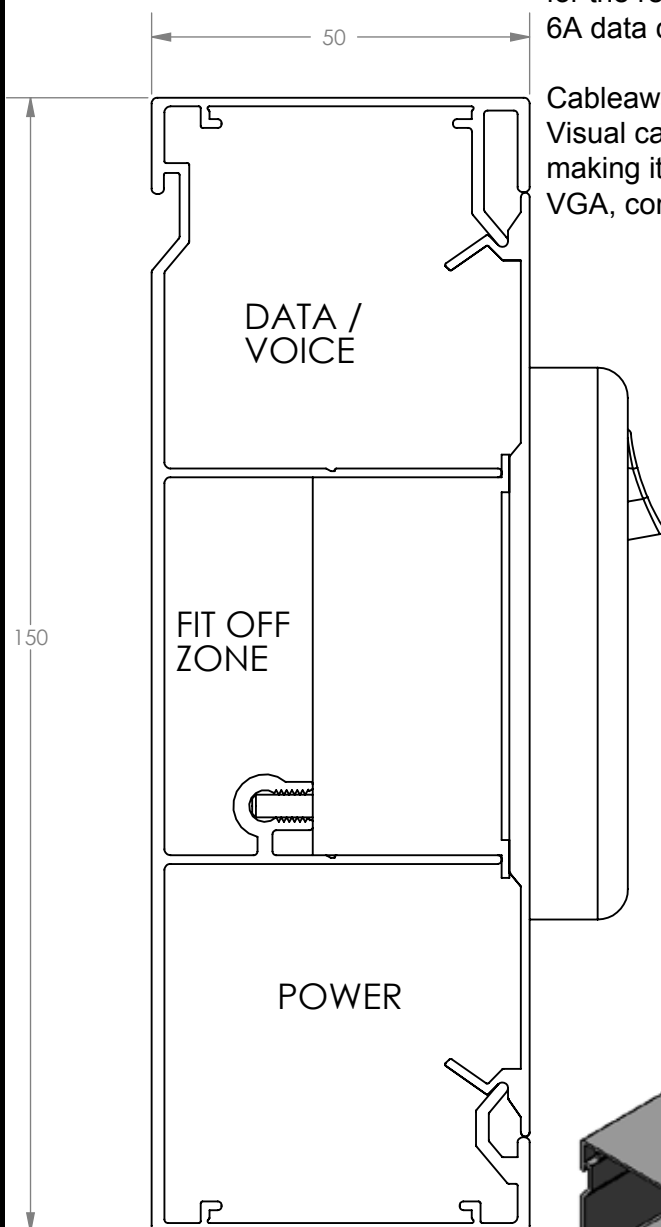
Cableaway's skirting duct range is by far the easiest way for housing and distribution of power and data cabling, from large commercial offices to the small home office.

Cableaway's 50mm x 150mm x 3 division skirting duct is perfect for the reticulation and mounting of power, Cat 5, Cat 6 and Cat 6A data cabling.

Cableaway's skirting duct is also able to handle Audio and Visual cables using Cableaway's 45 series multimedia outlets making it easier than ever to adapt microphone jacks, HDMI, VGA, component and much more.

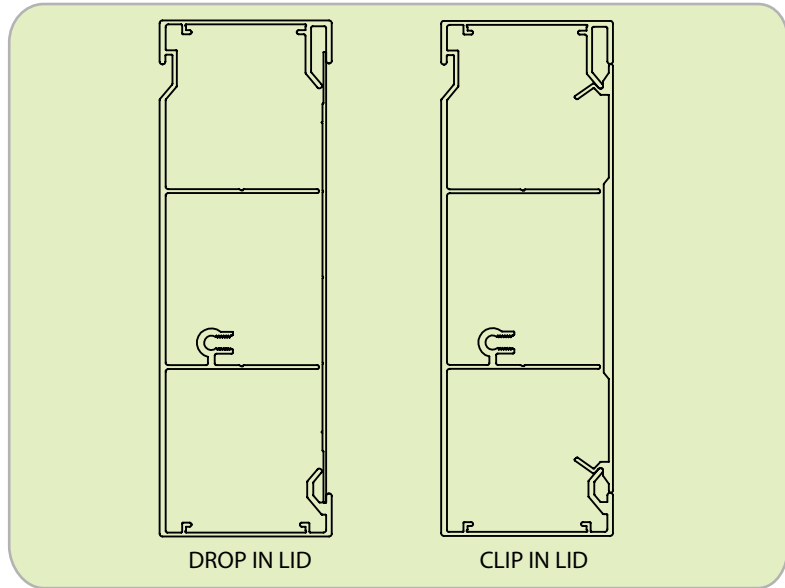
FEATURES:

- Extruded aluminium body
- Diecast blank ends
- Diecast corners
- Centre mounting of outlets
- Suitable for CAT 5,6 and 6A data cables
- GPO mounting kit
- Data mounting kit
- Available with drop in or clip in lid section
- Continuous earthing system
- Easy installation
- Hanging recess (for installation above floor level)

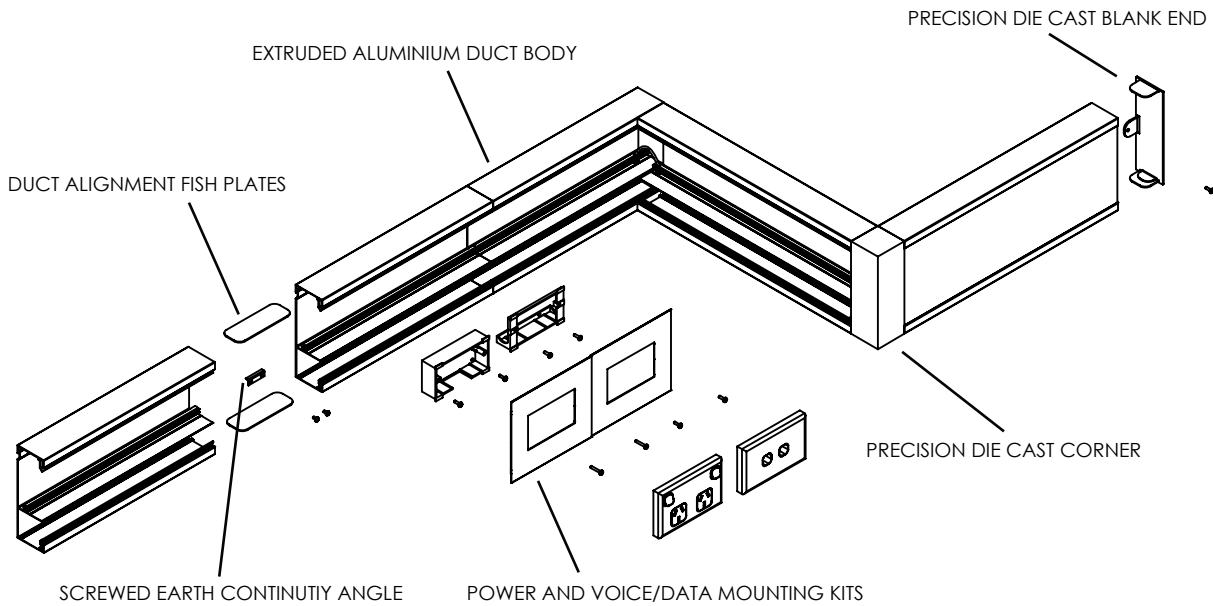




Manage Cables Better



SDT501503DIV SERIES SKIRTING DUCT



Suggested Specification:

Contractor shall supply Cableaway SD series skirting duct (to the nominated size, division and lid type). The skirting duct will be of aluminium construction complete with divisional barrier to separate power and data. Purpose made mounting kits for power and data shall be used. Skirting duct will be installed to the manufacturers specification using Cableaway’s continuous earthing system.

Description:

- Skirting duct Body (2.4m length)
- Drop in Lid section (1.2m length)
- Clip in lid section (1.2m length)
- Corner kit
- Blank end
- Front cover GPO and Data kit (drop in lid)
- Front cover GPO and Data kit (clip in lid)
- GPO shroud kit
- Data shroud kit
- Earth continuance plate and alignment plates
- Internal butt join earthing kit

Part Number:

- SDT50150(S)
- SDDL150(S)
- SDCL150(S)
- SDCNR50150(S)
- SDBE50150(S)
- SDDFC150(S)
- SDCFC150(S)
- SDPSK
- SDDMK
- SDJK50
- SDIEK

Standard Colours:

- Anodised Natural
- Black
- Oyster Grey
- Pearl White

(S) Suffix:

- A
- B
- O
- W



Better Cable Management

Cableaway Pty Ltd
Unit 8, 15 McPherson Road, Smeaton Grange NSW 2567
ph: 02 8006 4244 fax: 02 4647 2050
www.cableaway.com.au