



Better Cable Management

# SP Series Service Column

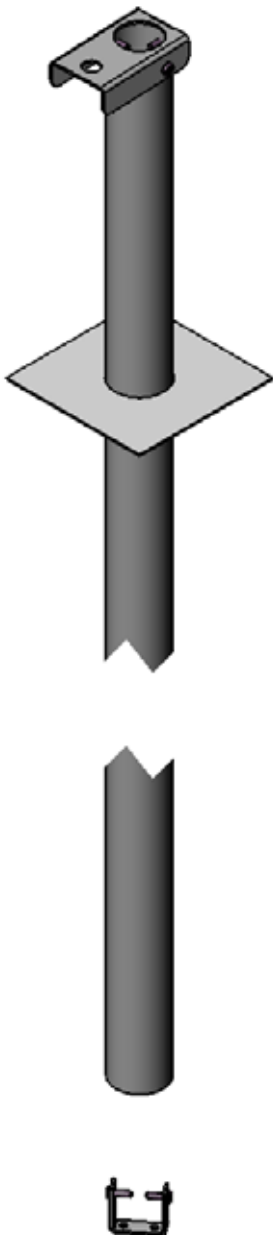




## Manage Cables Better

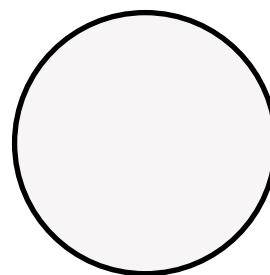
Cableaway's service poles are manufactured from strong and lightweight extruded aluminium. They provide an easy, attractive and economical way to effectively distribute power and telecommunications to work areas from open ceiling spaces.

Typical applications would be, office workstations, classrooms, retail outlets or factory floors. Cableaway's service poles are easily installed and come complete with installation hardware (optional T bar kit).



## Features:

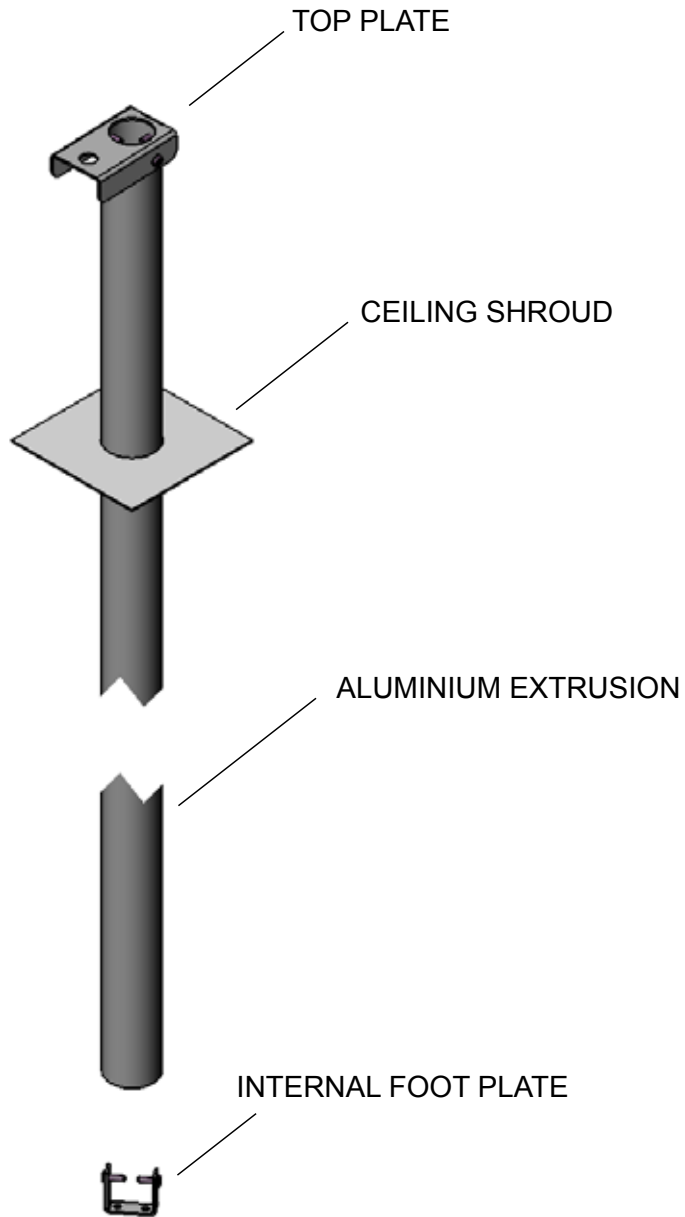
- Extruded aluminium.
- Suitable for CAT5,6 and 6A data cables.
- Simple installation.
- Complete with internal foot plate as standard
- Ceiling shroud
- Optional tee bar mounting kit.
- Powder coated to any colour.
- Standard colour Natural Anodised



Single Division



Manage Cables Better



# SP32 SERIES SERVICE COLUMN

**Suggested Specification:**

Contractor shall use Cableaway SP series service column to the nominated size. The construction of the service column shall be an aluminium extrusion. Colour of the service column to be nominated by Architect.

**Description**

Service Column 3m length complete with foot plate and ceiling shroud  
Service Column 4m length complete with foot plate and ceiling shroud  
Service Column 6m length complete with foot plate and ceiling shroud

**Part Number**

SP321D3MAN  
SP321D4MAN  
SP321D6MAN

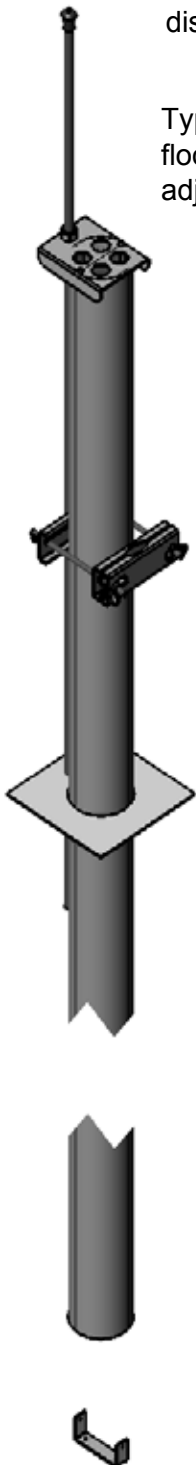
Special colours available on request



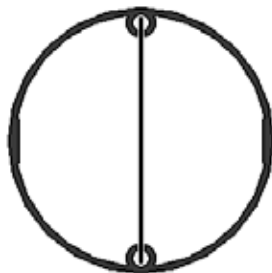
## Manage Cables Better

Cableaway's service poles are manufactured from strong and lightweight extruded aluminium. They provide an easy, attractive and economical way to effectively distribute power and telecommunications to work areas from open ceiling spaces.

Typical applications would be, office workstations, classrooms, retail outlets or factory floors. Cableaway's service poles are easily installed and come complete with a height adjustable jacking rod and installation hardware (optional T bar kit).



**Single Division**



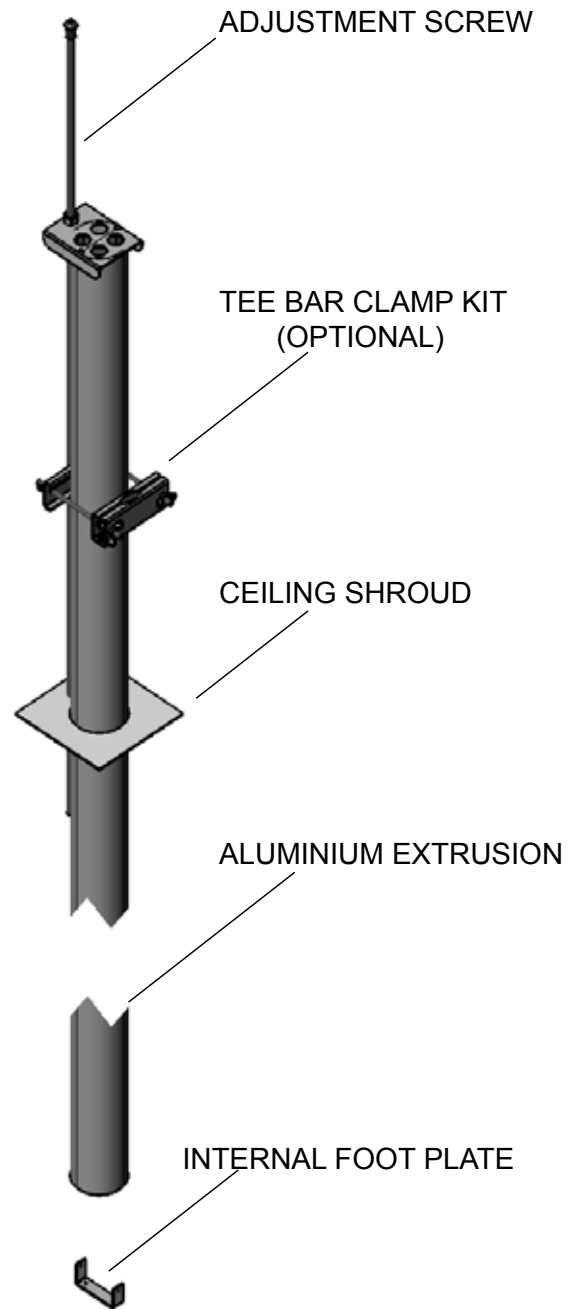
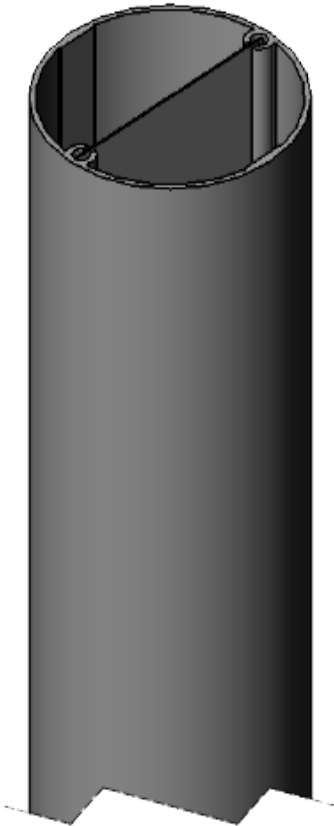
**Two Division**

## Features:

- Extruded aluminium.
- Suitable for CAT5,6 and 6A data cables.
- Simple installation.
- Complete with internal foot plate as standard
- Ceiling shroud
- 10mm jacking rod
- Optional tee bar mounting kit.
- Natural Anodised available on request
- Powder coated to any colour.



Manage Cables Better



# SP50 SERIES SERVICE COLUMN

**Suggested Specification:**

Contractor shall use Cableaway SP series service column to the nominated size. The construction of the service column shall be of aluminium extrusion complete with a divisional barrier dividing power and data. Colour of service column to be nominated by Architect.

**Description**

- Service Column 3m length complete with foot plate and ceiling shroud
- Service Column 4m length complete with foot plate and ceiling shroud
- Service Column 6m length complete with foot plate and ceiling shroud

**2 Division Part Number**

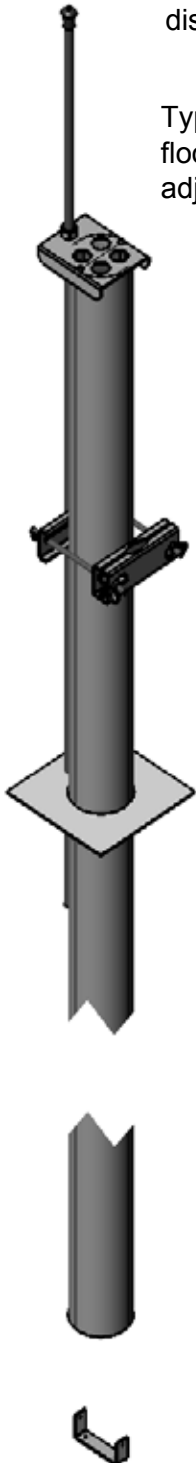
- SP502D3MSPEC
- SP502D4MSPEC
- SP502D6MSPEC



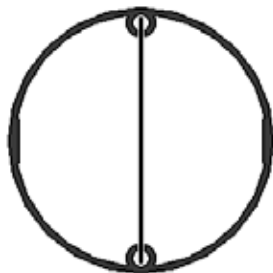
## Manage Cables Better

Cableaway's service poles are manufactured from strong and lightweight extruded aluminium. They provide an easy, attractive and economical way to effectively distribute power and telecommunications to work areas from open ceiling spaces.

Typical applications would be, office workstations, classrooms, retail outlets or factory floors. Cableaway's service poles are easily installed and come complete with a height adjustable jacking rod and installation hardware (optional T bar kit).



**Single Division**



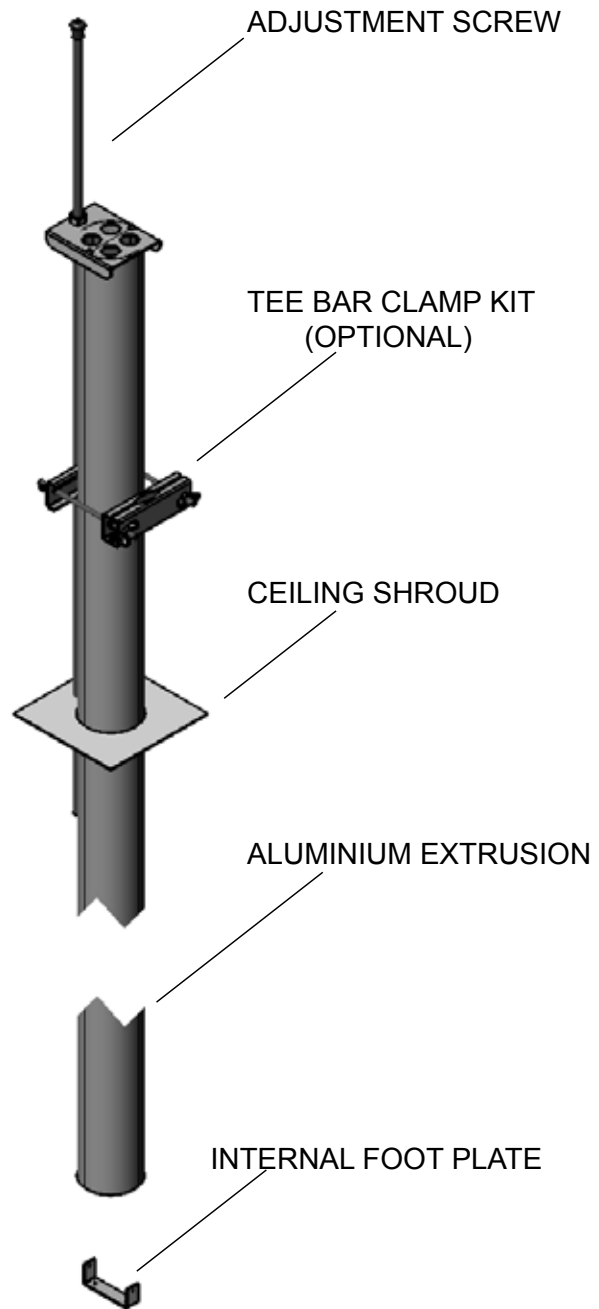
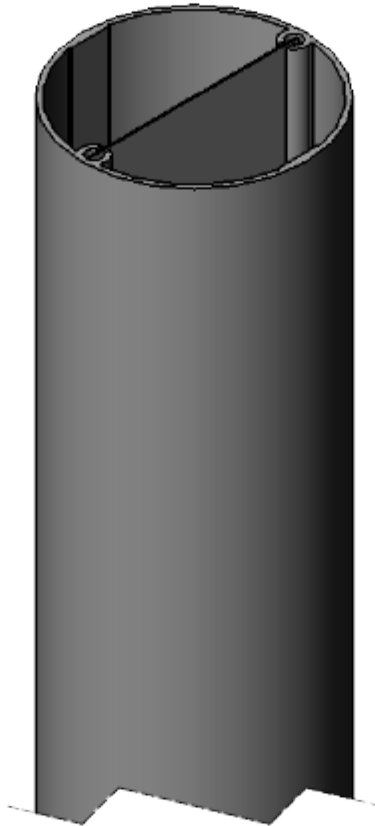
**Two Division**

## Features:

- Extruded aluminium.
- Suitable for CAT5,6 and 6A data cables.
- Simple installation.
- Complete with internal foot plate as standard
- Ceiling shroud
- 10mm jacking rod
- Optional tee bar mounting kit.
- Standard Colours Natural Anodised and Pearl White
- Powder coated to any colour.



Manage Cables Better



# SP70 SERIES SERVICE COLUMN

**Suggested Specification:**

Contractor shall use Cableaway SP series service column to the nominated size. The construction of the service column shall be an aluminium extrusion complete with a divisional barrier dividing power and data. Colour of service column to be nominated by Architect.

**Description**

Service Column 3m length complete with foot plate and ceiling shroud  
 Service Column 4m length complete with foot plate and ceiling shroud  
 Service Column 6m length complete with foot plate and ceiling shroud

Service Column 3m length complete with foot plate and ceiling shroud  
 Service Column 4m length complete with foot plate and ceiling shroud  
 Service Column 6m length complete with foot plate and ceiling shroud

**2 Division Part Number**

SP702D3MAN  
 SP702D4MAN  
 SP702D6MAN

SP702D3MPW  
 SP702D4MPW  
 SP702D6MPW

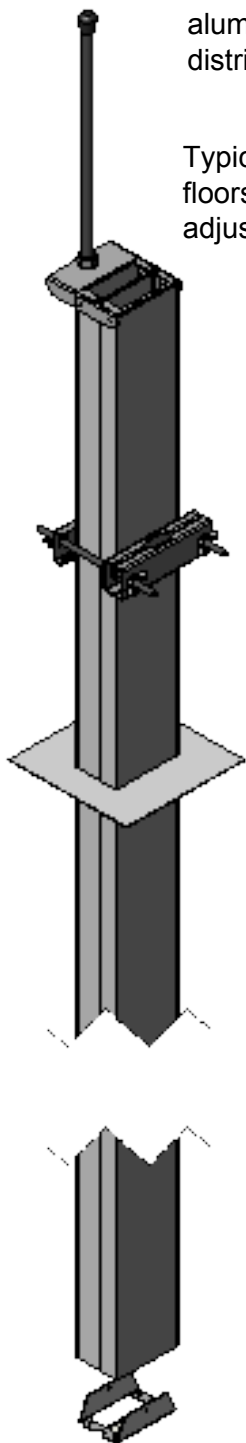
**Special colours available on request**



## Manage Cables Better

Cableaway's service poles are manufactured from strong and lightweight extruded aluminium. They provide an easy, attractive and economical way to effectively distribute power and telecommunications to work areas from open ceiling spaces.

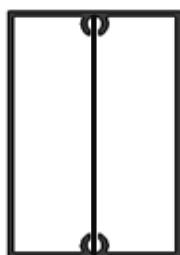
Typical applications would be, office workstations, classrooms, retail outlets or factory floors. Cableaway's service poles are easily installed and come complete with a height adjustable jacking rod and installation hardware (optional T bar kit).



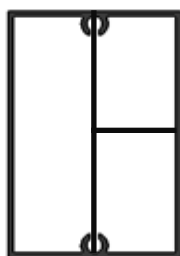
Cableaway can also customise your service pole by machining outlet cut outs to your height requirements. This will increase the speed of your installation as no drilling or cutting required on site.



**Single Division**



**Two Division**



**Three Division**  
Available on Request

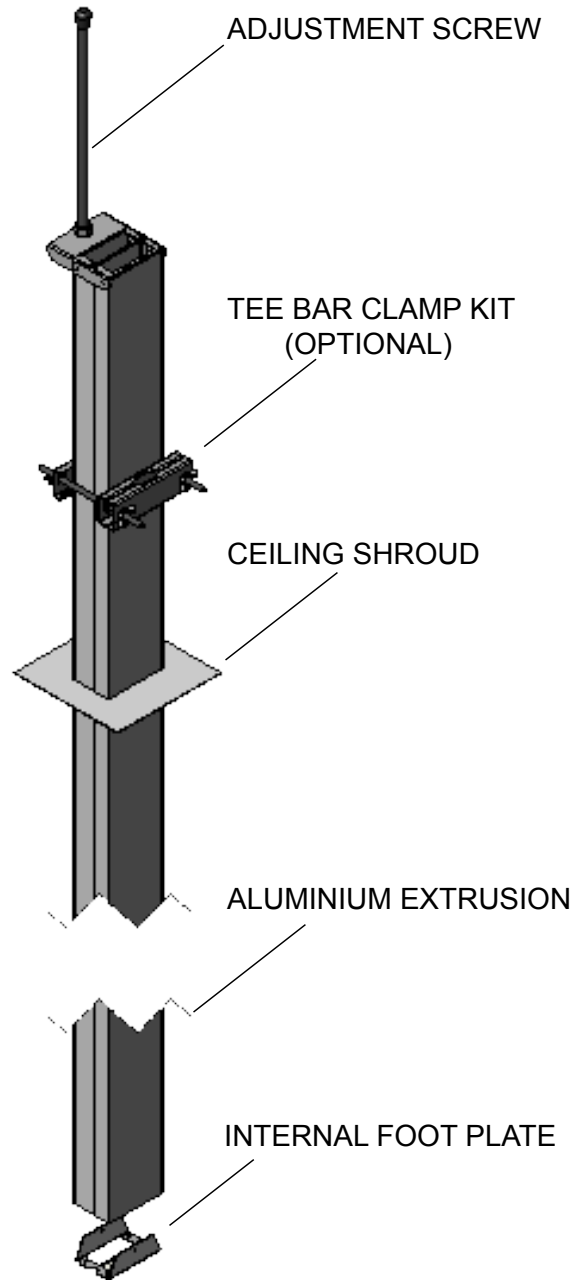
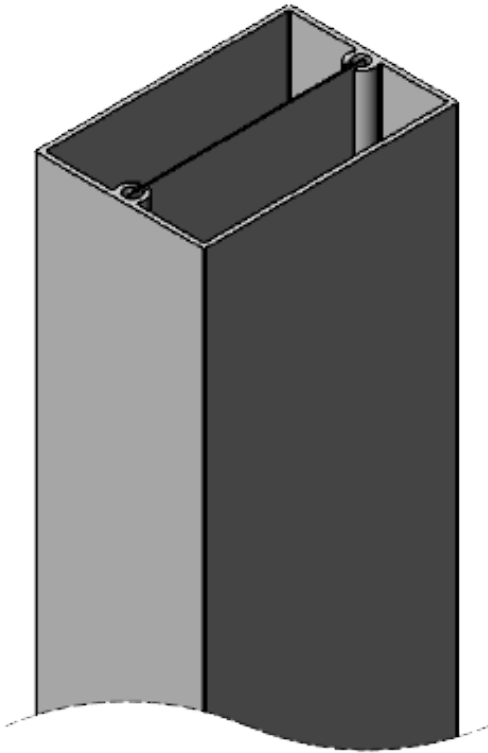
## Features:

- Extruded Aluminium.
- Suitable for CAT5,6 and 6A Data Cables.
- Simple installation.
- Complete with internal foot plate as standard
- Ceiling shroud
- 10mm jacking rod
- Optional tee bar mounting kit.
- Standard Colour Natural Anodised and Pearl White
- Powder coated to any colour.
- **Outlet cut outs are available on request**





Manage Cables Better



# SP7550 SERIES SERVICE COLUMN

**Suggested Specification:**

Contractor shall use Cableaway SP series service column to the nominated size. The construction of the service column shall be an aluminium extrusion complete with a divisional barrier dividing power and data. Colour of the service column to be nominated by Architect. Provision for mounting of GPO and Data outlets to be nominated by electrical Consultant and cut outs to be completed by Cableaway.

**Description**

- Service Column 3m length complete with foot plate and ceiling shroud
- Service Column 4m length complete with foot plate and ceiling shroud
- Service Column 6m length complete with foot plate and ceiling shroud
- Service Column 3m length complete with foot plate and ceiling shroud
- Service Column 4m length complete with foot plate and ceiling shroud
- Service Column 6m length complete with foot plate and ceiling shroud

**2 Division Part Number**

- SP75502D3MAN
- SP75502D4MAN
- SP75502D6MAN
- SP75502D3MPW
- SP75502D4MPW
- SP75502D6MPW

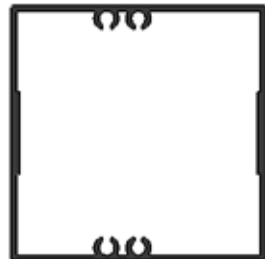
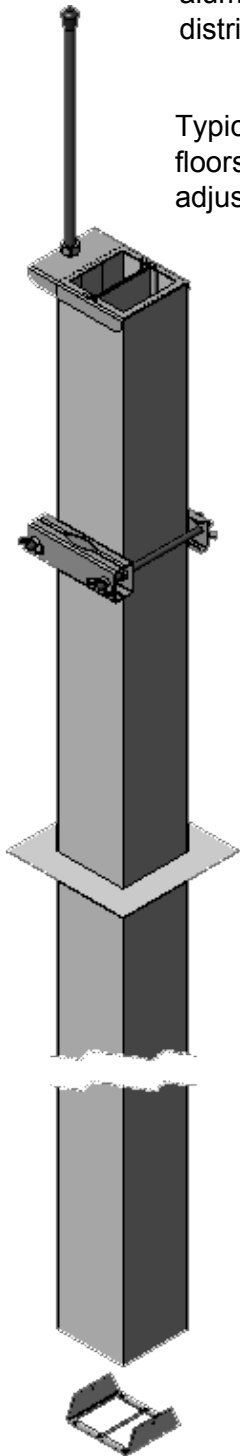
**Longer poles Available on request**



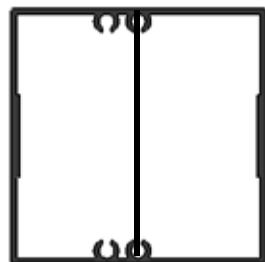
## Manage Cables Better

Cableaway's service poles are manufactured from strong and lightweight extruded aluminium. They provide an easy, attractive and economical way to effectively distribute power and telecommunications to work areas from open ceiling spaces.

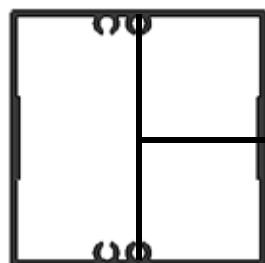
Typical applications would be, office workstations, classrooms, retail outlets or factory floors. Cableaway's service poles are easily installed and come complete with a height adjustable jacking rod and optional T bar kit.



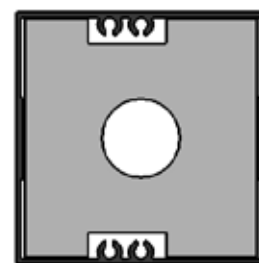
**Single Division**



**Two Division**



**Three Division  
available on request**



**Horizontal  
Zoning**

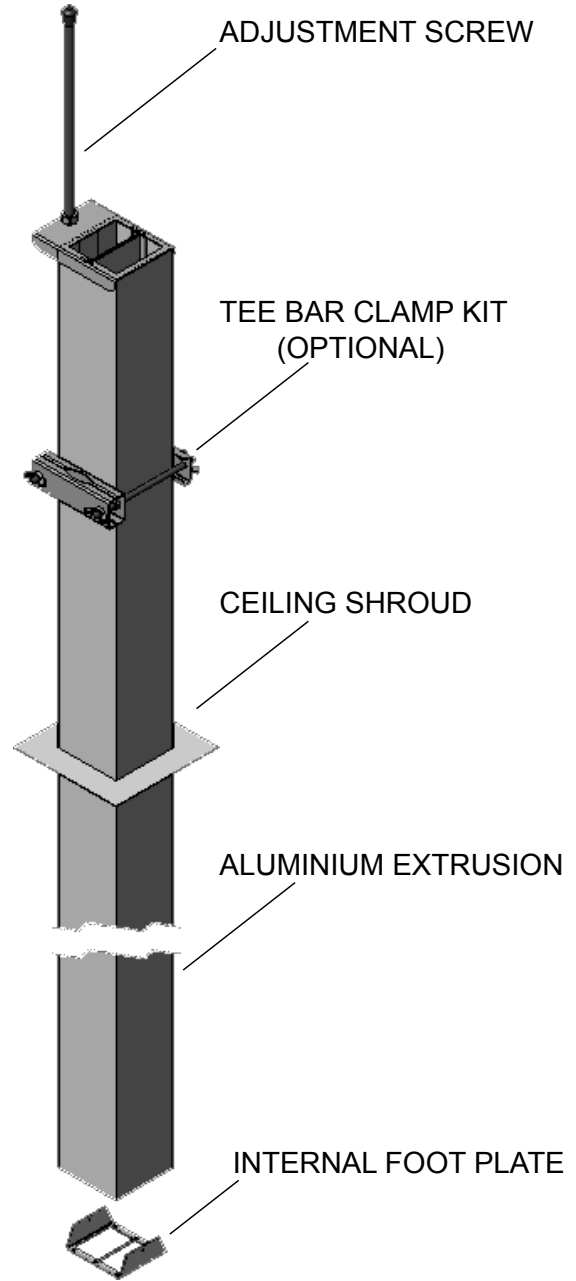
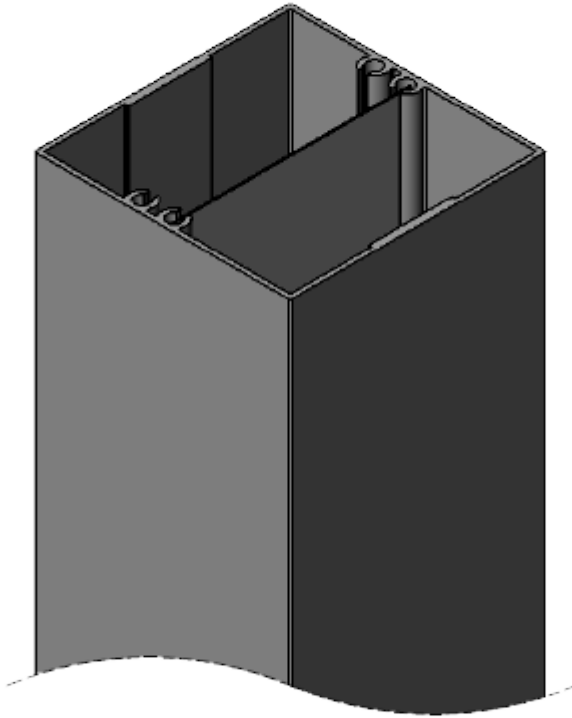
Cableaway can also customise your service pole by machining outlet cut outs to your height requirements. This will increase the speed of your installation as no drilling or cutting required on site.

## Features:

- Extruded aluminium.
- Suitable for CAT5,6 and 6A data cables.
- Simple installation.
- Outlets able to be installed on all four sides.
- Complete with internal foot plate as standard
- Ceiling shroud
- 10mm jacking rod
- Optional tee bar mounting kit.
- Standard Colour Natural Anodised and Pearl White
- Powder coated to any colour.
- **Outlet cut outs are available on request**



Manage Cables Better



# SP8080 SERIES SERVICE COLUMN

**Standard Finishes**

Natural Anodised and Pearl White Powder Coat

**Suggested Specification:**

Contractor shall use Cableaway SP series service column to the nominated size. The construction of the service column shall be an aluminium extrusion complete with a divisional barrier dividing power and data. Colour of the service column to be nominated by Architect. Provision for mounting of GPO and Data outlets to be nominated by electrical Consultant and cut outs to be completed by Cableaway.

**Description**

- Service Column 3m length complete with foot plate and ceiling shroud
- Service Column 4m length complete with foot plate and ceiling shroud
- Service Column 6m length complete with foot plate and ceiling shroud
- Service Column 3m length complete with foot plate and ceiling shroud
- Service Column 4m length complete with foot plate and ceiling shroud
- Service Column 6m length complete with foot plate and ceiling shroud

**2 Division Part Number**

- SP80802D3MAN
- SP80802D4MAN
- SP80802D6MAN
- SP80802D3MPW
- SP80802D4MPW
- SP80802D6MPW

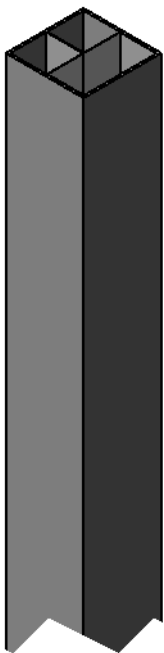
Special colours and longer length poles are available on request



## Manage Cables Better

Cableaway's service poles are manufactured from strong and lightweight extruded aluminium. They provide an easy, attractive and economical way to effectively distribute power and telecommunications to work areas from open ceiling spaces.

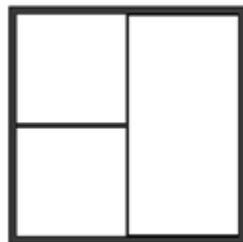
Typical applications would be, office workstations, classrooms, retail outlets or factory floors. Cableaway's service poles are easily installed and come complete with a height adjustable jacking rod and installation hardware. (T bar kit optional).



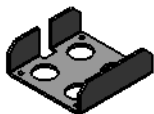
**Single Division**



**Two Division**



**Three Division  
Available on Request**



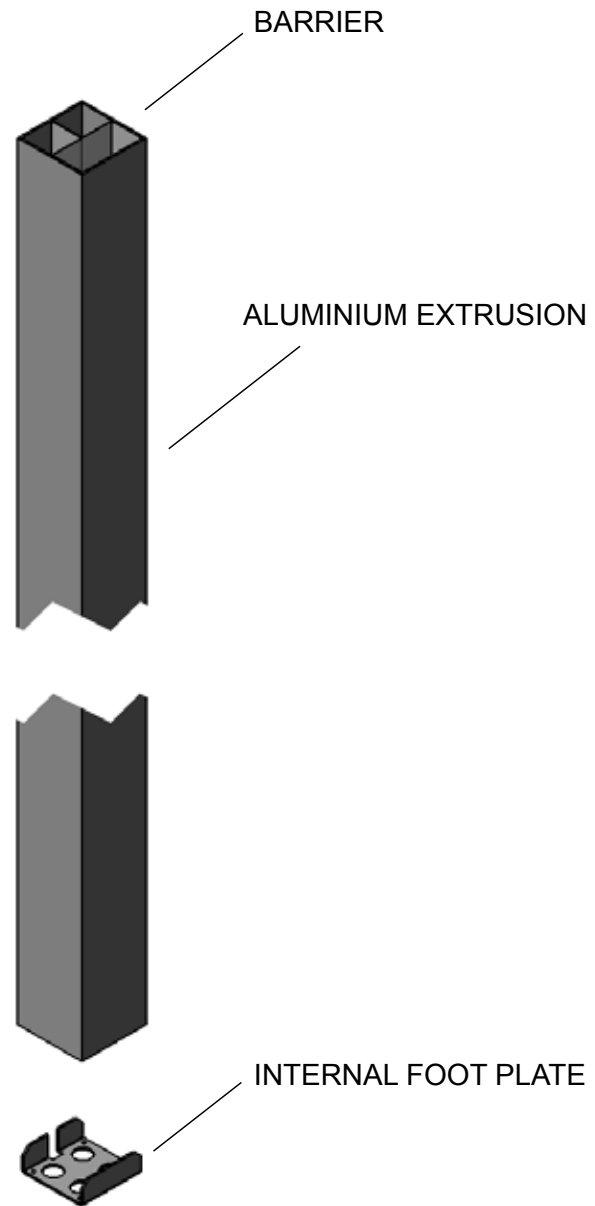
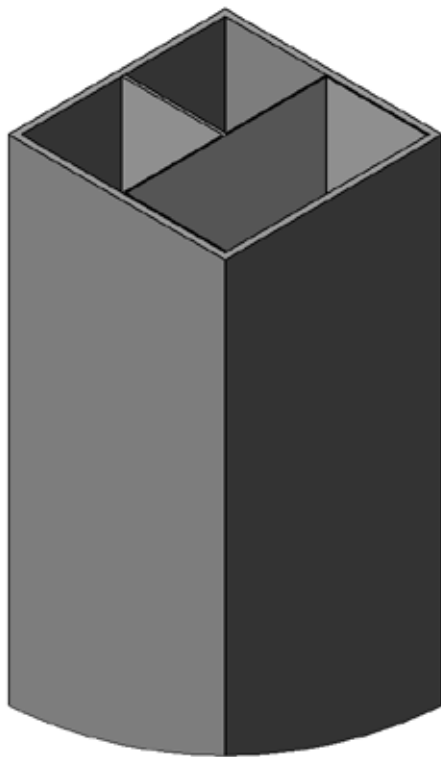
Cableaway can also customise your service pole by machining outlet cut outs to your height requirements. This will increase the speed of your installation as no drilling or cutting required on site.

## Features:

- Extruded aluminium.
- Suitable for CAT5,6 and 6A data cables.
- Simple installation.
- Outlets able to be installed on all four sides.
- Complete with internal foot plate as standard
- Optional tee bar mounting kit.
- Powder coated to any colour.
- **Outlet cut outs are available on request**



Manage Cables Better



# SP100100 SERIES SERVICE COLUMN

### Suggested Specification:

Contractor shall use Cableaway SP series service column to the nominated size. The construction of the service column shall be an aluminium extrusion complete with a divisional barrier dividing power and data. Colour of the service column to be nominated by Architect. Provision for mounting of GPO and Data outlets to be nominated by electrical Consultant and cut outs to be completed by Cableaway.

### Description

- Service Column 3m length complete with foot plate
- Service Column 4m length complete with foot plate
- Service Column 6m length complete with foot plate

### Part Number

- SP1001003MSPEC
- SP1001004MSPEC
- SP1001006MSPEC

Special colours and longer length poles are available on request



Better Cable Management

Cableaway Pty Ltd  
Unit 8, 15 McPherson Road Smeaton Grange NSW 2567  
ph: 02 8006 4244 fax: 02 4647 2050  
[www.cableaway.com.au](http://www.cableaway.com.au)